

# Technical data sheet

## Product features



### Cooking range gas with electric static oven

<b>Model</b>	<b>SAP Code</b>	00014795
--------------	-----------------	----------



- Device type: Combined unit
- Ignition: Eternal flame
- Type of internal part of the appliance 1 (eg oven): Electric
- Type of internal part of the appliance 2 (eg oven): Static
- Material: AISI 304 top plate and cladding

<b>SAP Code</b>	00014795	<b>Loading</b>	400 V / 3N - 50 Hz
<b>Net Width [mm]</b>	1200	<b>Power gas [kW]</b>	39.000
<b>Net Depth [mm]</b>	730	<b>Type of gas</b>	Natural gas, propane butane
<b>Net Height [mm]</b>	900	<b>Type of internal part of the appliance 1 (eg oven)</b>	Electric
<b>Net Weight [kg]</b>	139.30	<b>Type of internal part of the appliance 2 (eg oven)</b>	Static
<b>Power electric [kW]</b>	6.300		

# Technical data sheet

Technical drawing

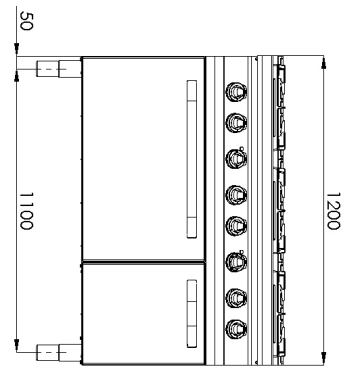
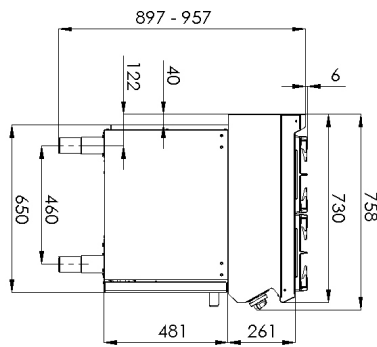
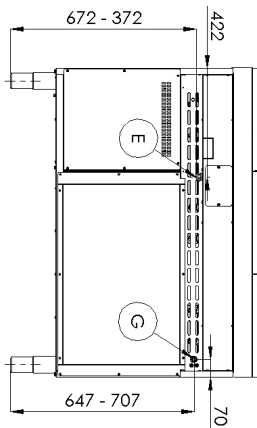


Cooking range gas with electric static oven

Model

SAP Code

00014795



# Technical data sheet

Technical parameters



## Cooking range gas with electric static oven

**Model**

**SAP Code**

00014795

**1. SAP Code:**

00014795

**2. Net Width [mm]:**

1200

**3. Net Depth [mm]:**

730

**4. Net Height [mm]:**

900

**5. Net Weight [kg]:**

139.30

**6. Gross Width [mm]:**

1260

**7. Gross depth [mm]:**

820

**8. Gross Height [mm]:**

1080

**9. Gross Weight [kg]:**

156.00

**10. Device type:**

Combined unit

**11. Construction type of device:**

Stationary

**12. Power electric [kW]:**

6.300

**13. Loading:**

400 V / 3N - 50 Hz

**14. Power gas [kW]:**

39.000

**15. Ignition:**

Eternal flame

**16. Type of gas:**

Natural gas, propane butane

**17. Device color:**

Stainless steel

**18. Material:**

AISI 304 top plate and cladding

**19. Worktop type:**

Molded - comfortable cleaning maintenance

**20. Worktop material:**

AISI 304

**21. Worktop Thickness [mm]:**

1.50

**22. Maximum device temperature [°C]:**

300

**23. Minimum device temperature [°C]:**

50

**24. Grid material:**

Cast iron

**25. Service accessibility:**

Trough the frontal panel

**26. Safety thermocouple:**

Yes

**27. Adjustable feet:**

Yes

**28. Number of burners/hot plates:**

6

# Technical data sheet

Technical parameters



## Cooking range gas with electric static oven

**Model**

**SAP Code**

00014795

**29. Type of gas cooking zones:**

Classic

**30. Burner type:**

Cast iron, detachable, with internal and external combustion

**31. Oven Type:**

electrical static

**32. Oven power electric [kW]:**

6.30

**33. Oven size:**

GN 2/1

**34. Type of internal part of the appliance 1 (eg oven):**

Electric

**35. Type of internal part of the appliance 2 (eg oven):**

Static

**36. Gasket:**

Yes

**37. Maximum temperature of the inner chamber [Å°C]:**

300

**38. Minimum temperature of the inner chamber [Å°C]:**

50